

Hubport®

Switched USB Expansion Hubs

Industrial grade switched hubs offer instant Plug and Play USB connectivity.



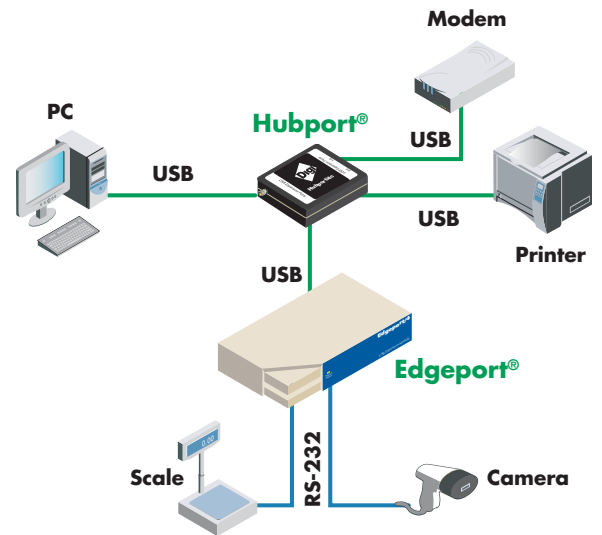
Overview

Hubport offers a simple solution for adding USB ports to a PC, server or thin client for instant peripheral device connectivity. This external, user installable solution plugs into a standard USB port to provide four or seven additional USB 2.0 ports in a compact chassis. The switched USB architecture guarantees maximum performance on all ports simultaneously.

Models include AC or DC powered hubs that accept power from standard AC wall plugs or a range of 5.5-30VDC power sources, such as vehicle batteries. Plastic chassis and metal chassis models are available, and both are small enough to fit nearly anywhere.

Feature-rich design, extensive operating system support and reliable performance make Hubport ideal for mission-critical environments. Applications include connecting devices to a hub powered by car or truck battery for mobile applications; adding Plug and Play USB compatibility to an older PC or laptop; and connecting USB peripheral devices at an office workstation.

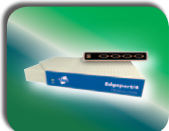
Application Highlight



Features/Benefits

- Industrial USB 2.0 hubs for instant USB expansion
- 4- or 7-port models in a compact chassis; optional metal chassis for extra protection
- Rack-mountable 14-port model
- Switched USB ensures maximum performance on all ports
- AC and DC powered models for standard or mobile deployment
- DC powered models can be used with 12V or 24V vehicle batteries
- Locking power connector
- Individual port power management

Related Products



Edgeport®



USB Plus Series



Rapidport/4®



Watchport® Cameras



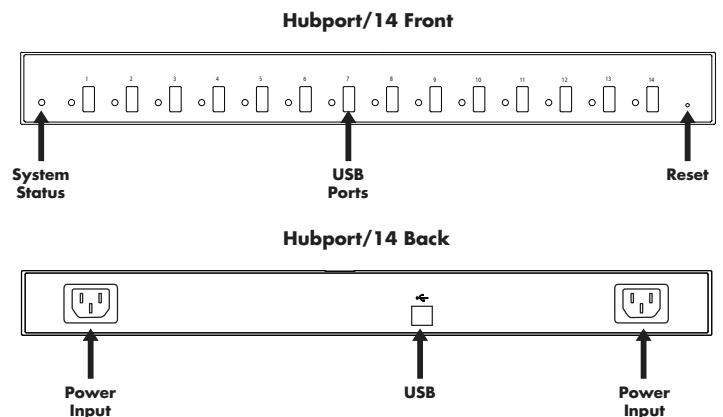
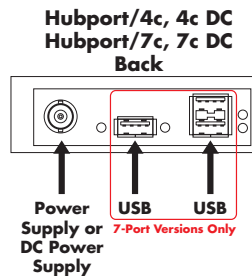
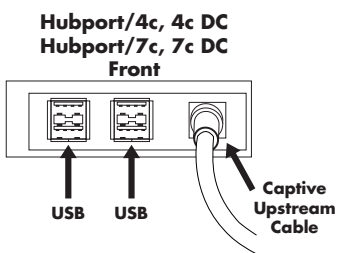
Watchport® Sensors



Specifications

Hubport®

USB Features	
Ports	4, 7 or 14 USB Type A ports (USB 2.0, 1.1 and 1.0 compatible)
Data Rate	480 Mbps (on USB 2.0 models); Multi-TT switched USB architecture guarantees a full 12 Mbps simultaneously on all downstream ports, even if a high-speed 480 Mbps transfer is active
Cables	Includes 1-meter USB cable
General Features	
Power	Individual port power management; 5.5-30VDC powered models for mobile applications; 500 mA downstream power available per port; Locking power connector; 120/230VAC 50/60Hz IEC 60320 inlet (Hubport/14 only)
Operating Systems	Linux®, Windows® 7, Windows Vista®, Windows Server® 2008, Windows XP®, Windows® XP Embedded, Windows NT® 4.0*, Windows NT Embedded*, Windows CE, Windows Server® 2003, Windows 2000 *Supported when connecting Digi products.
LEDs	System power, Port status (4-port models: 5 LEDs; 7-port models: 8 LEDs; 14-port model: 15 LEDs)
Dimensions (L x W x H) & Weight	Hubport/4c, Hubport/ 4c DC, Hubport/7c, Hubport/7c DC: 2.61 in x 3.00 in x 1.00 in (6.63 cm x 7.62 cm x 2.54 cm); 6.20 oz (175.80 g) Hubport/4cM, Hubport/4cM DC: 3.74 in x 3.00 in x 1.39 in (9.50 cm x 7.62 cm x 3.53 cm); 7.60 oz (215.50 g) Hubport/14: 4.97 in x 17.00 in x 1.74 in (12.62 cm x 43.18 cm x 4.42 cm); 35.00 oz (1134 g)
Other	No additional IRQ or memory address requirements; Hot-swappable; Rack-mountable; Plug and Play; Metal enclosures and DC-powered models available
Power Requirements	
Power Input (AC Models)	Ships with plug-mounted 120/230VAC 50/60 Hz at 5VDC @ 3Amps max
Power Input (DC Models)	Variable power DC products are 5.5V to 30V
Environmental	
Operating Temperature	0° C to 55° C (32° F to 131° F)
Relative Humidity	0% to 95% (non-condensing)
Regulatory Approvals	
Safety	EN60950, UL 1950, CSA 2.2 No. 950, IEC 950
Emissions/Immunity	CE, FCC Part 15 Class B, EN55022 Class B, EN55024



Visit www.digi.com for part numbers.

DIGI SERVICE AND SUPPORT - You can purchase with confidence knowing that Digi is here to support you with expert technical support and a strong five-year warranty. www.digi.com/support

Digi International
877-912-3444
952-912-3444
info@digi.com

Digi International France
+33-1-55-61-98-98
www.digi.fr

Digi International KK
+81-3-5428-0261
www.digi-intl.co.jp

Digi International (HK) Limited
+852-2833-1008
www.digi.cn

BUY ONLINE • www.digi.com

91001224
F2/411

© 2004-2011 Digi International Inc. All rights reserved. Digi, Digi International, the Digi logo, Edgeport, Hubport, Rapidport/4 and Watchport are trademarks or registered trademarks of Digi International Inc. in the United States and other countries worldwide. All other trademarks are the property of their respective owners. All information provided is subject to change without notice.

